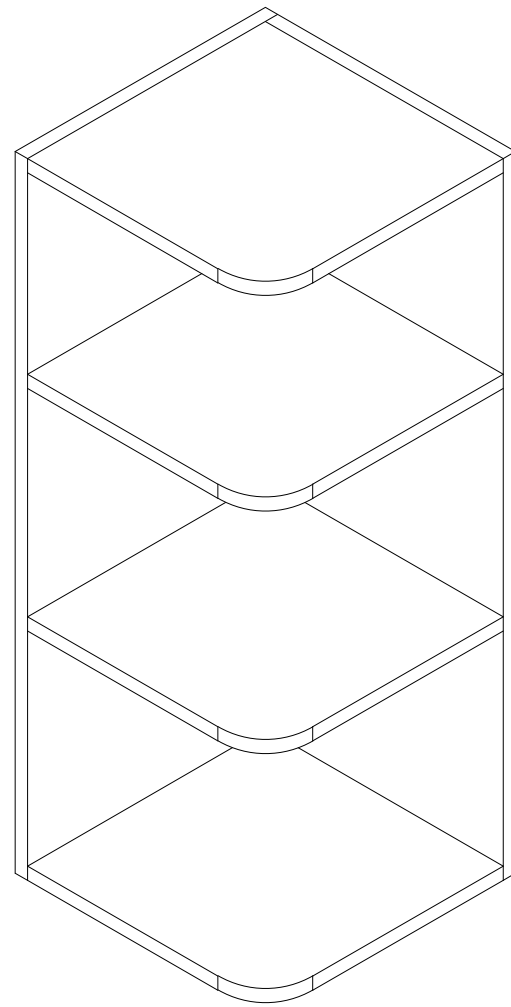
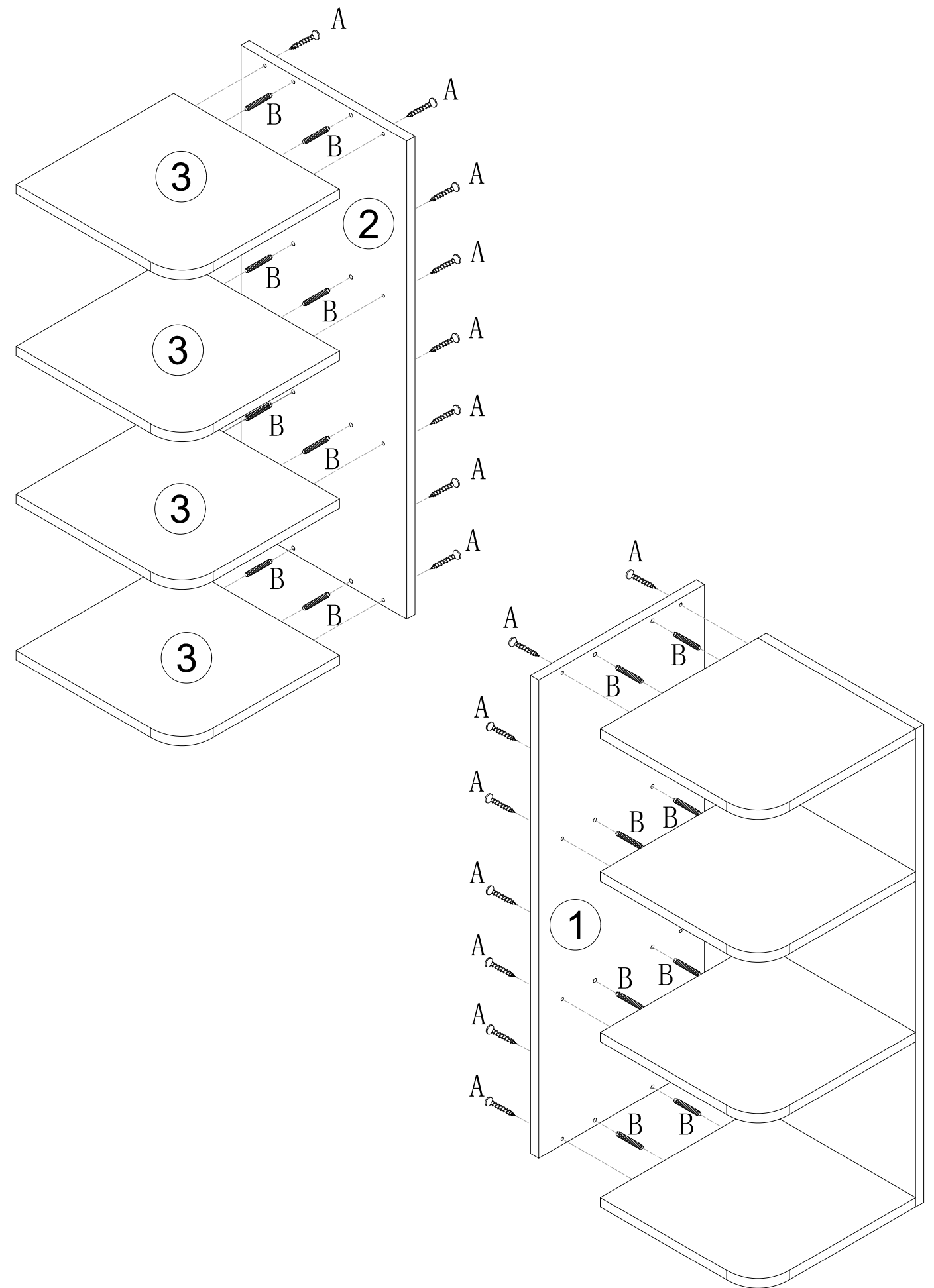


# ASSEMBLY INSTRUCTIONS



WES1230/WES1236/WES1242



## Step 1



### Parts list

NO.	Parts	QTY
A	 (T5*1.57")	16
B	 (M8*1.18")	16

### Tools (required but not provided)

